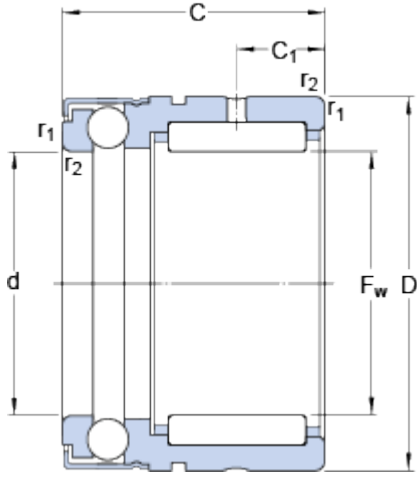


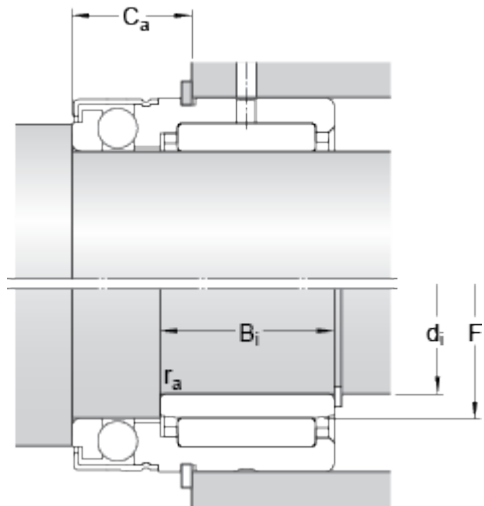
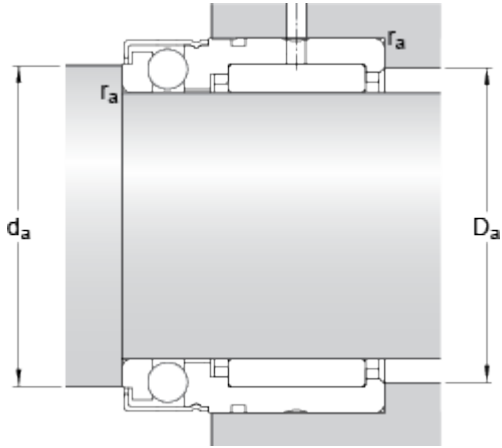
# NX 17 Z

## Dimensions



$F_w$		17	mm
$D$		26	mm
$C$		28	mm
$C_1$		8	mm
$d$		17	mm
$r_{1,2}$	min.	0.3	mm

## Abutment dimensions



$d_a$	min.	21	mm
$D_a$	max.	24	mm
$C_a$		12.2	mm
$r_a$	max.	0.3	mm
$d_i$		14	mm
$F$		17	mm
$B_i$		17	mm

## Calculation data

Basic dynamic load rating, radial direction	$C$	12.1	kN
Basic static load rating, radial direction	$C_0$	16.6	kN
Basic dynamic load rating, axial direction	$C$	6.4	kN

Basic static load rating, axial direction	$C_0$	13.4	kN
Fatigue load limit, radial direction	$P_u$	2	kN
Fatigue load limit, axial direction	$P_u$	0.5	kN
Minimum axial load factor	A	0.93	
Reference speed		7000	r/min
Limiting speed		5000	r/min

### Mass

---

Mass bearing		0.053	kg
--------------	--	-------	----

### Appropriate products

---

Inner ring		IR 14x17x17
Snap ring		SW 26